

2 SERIES HAL INT

WALLWASH

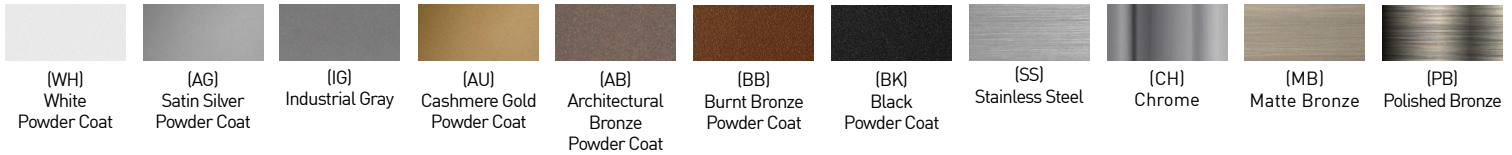
Our smallest aperture family of pin-hole fixtures offers high-output illumination for high-drama design statements in discerning residential, retail, and hospitality environments.

PROJECT NAME:	TYPE:
---------------	-------



ORDERING INFORMATION

FITTING	RATING	FLANGE FINISH	INSTALL TYPE	CEILING THICKNESS	POWER SUPPLY	EFFECTS DEVICE	FLANGE CONFIGURATION
			EX			WL	
2RW Round Expanded 2SW Square Expanded	1 IP20 Dry / Damp 2 IP64 Wet* *(Lens sealed in place)	WH White AG Satin Silver IG Industrial Gray AU Cashmere Gold AB Architectural Bronze BB Burnt Bronze BK Black SS Stainless Steel* *(Increased lead time) CH Chrome* *(Increased lead time) MB Matte Bronze* *(Increased lead time) PB Polished Bronze* *(Increased lead time) PR Primer CF Custom* *(Consult Factory)	EX Export	0 3mm - 13mm 1 13mm - 20mm 2 20mm - 32mm	International (120V - 240V) LVH Low Voltage Halogen* *(Fitting ships with MR16 socket, power supply not provided) MVH Mains Voltage Halogen* *(Fitting ships with GU10 socket, power supply not provided)	WL Wallwash Lens	F Flange Overlay (No Applique) G Zero Sightline - Gypsum (1.57mm Applique)* *(Not available for IP64 wet location) P Zero Sightline - Plaster (3.18mm Applique)* *(Not available for IP64 wet location)



PART NUMBER NOTES

- Fitting ships as e.g. 2RW1-WH-EX-1-LVHWL
- Applique ships with fitting

ACCESSORIES

ROUTER TOOL GUIDE (IP20 Dry / Damp locations only)
 Recommended for Zero-Sightline installations in wood ceilings. Must Specify **F** Flange Configuration
 DLA-RTG-2S-RD Tool, router guide; reusable

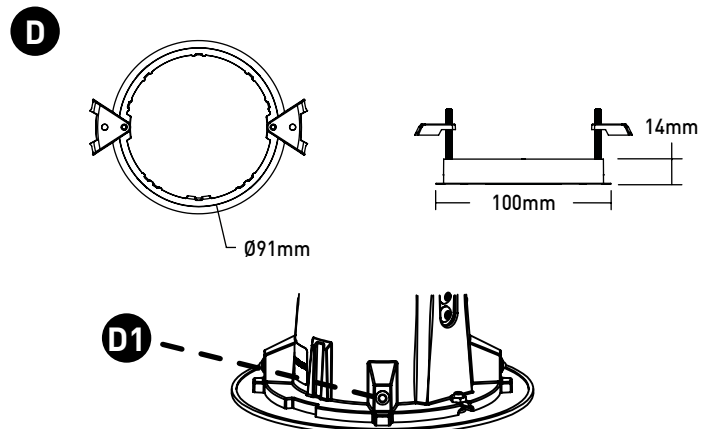
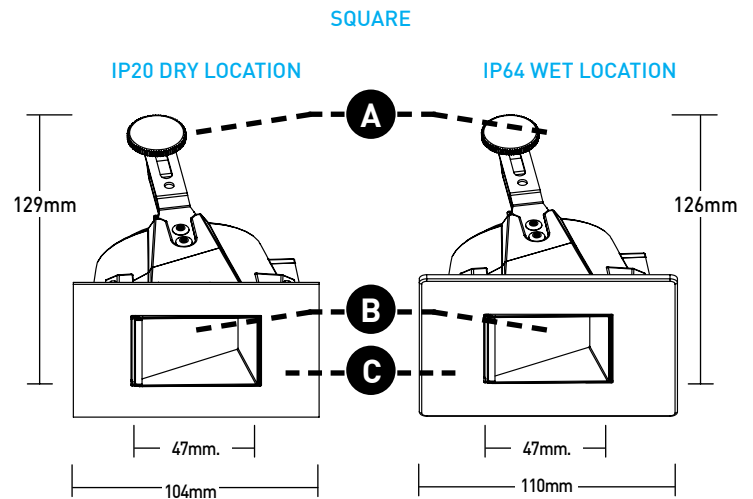
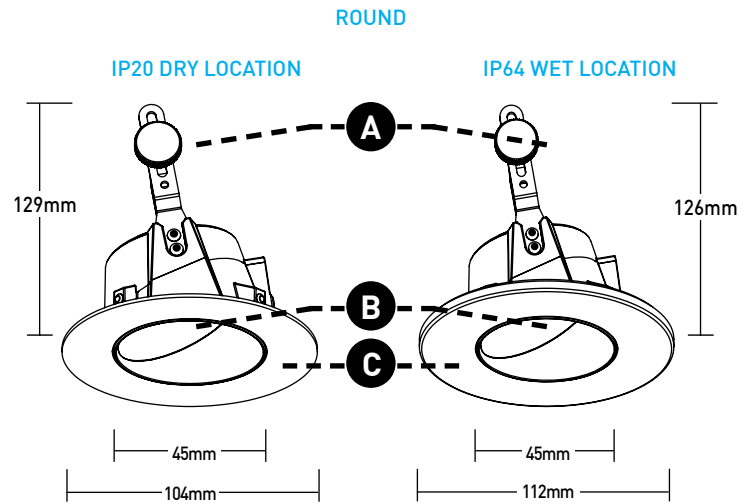
2 SERIES HAL INT WALLWASH

DOWNLIGHT FITTING

Die-cast baffle and precision kick reflector provide dynamic wallwashing and minimal aperture glare.

- A** **ADJUSTABLE YOKE**
Adjustable yoke allows for quick access to optic and effects device.
- B** **EFFECTS DEVICES**
Wallwash lens included and sealed in place on IP64 wet location fittings
- C** **FITTING PLATE**
IP64 Wet location features integral silicone gasket.
 - IP20 Dry / Damp Location: Thickness measures 1.7mm
 - IP64 Wet Location: 3.8mm return, installed as flange overlay only.
- D** **DOWNLIGHT FITTING ADAPTER**
Included with fitting and required for installation. Uses (2) #6-32 flat-head screws with varying lengths to accommodate ceiling depth. Installed after ceiling is complete. Requires 92mm diameter cutout for flange overlay applications.
- D1** **RETENTION**
Engineered integral ball plungers correspond to fitting adaptor ensuring snug fit against finished ceiling.

DIMENSIONS / DRAWINGS



2 SERIES HAL INT WALLWASH

ZERO-SIGHTLINE INSTALLATIONS

Zero-Sightline installations available for IP20 Dry / Damp location fittings only. When installed according to manufacturer's instructions and ceiling conditions are met, fitting is flush with the ceiling plane. Consult 2-Series Installation Guidelines for appropriate ceiling cutouts and instructions for proper Zero-Sightline installations.

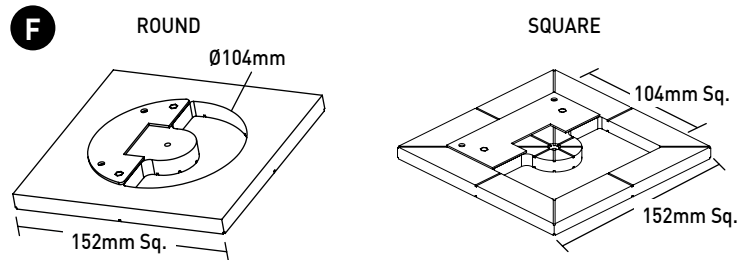
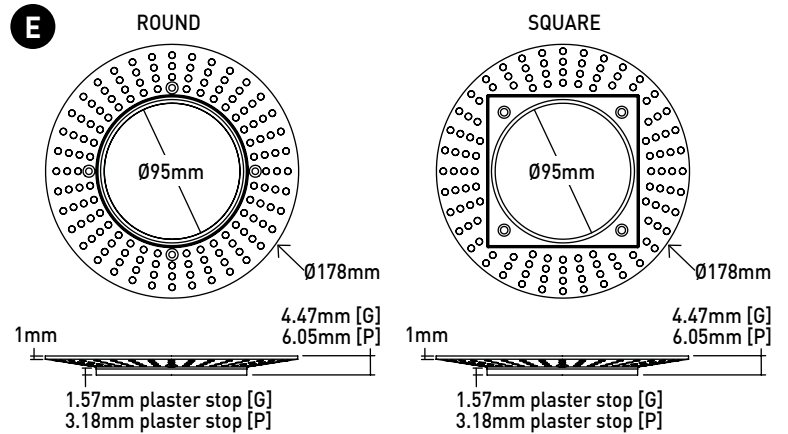
E APPLIQUÉ

- Specified on Flange Configuration and ships with housing; ships separately on remodel installations.
- For use in sheetrock ceiling applications.
- 1.57mm Appliqué (G Flange Configuration) recommended for gypsum ceiling installations and has plaster stop thickness of 1.57mm. Recommended for painted ceiling applications.
- 3.18mm Appliqué (P Flange Configuration) offers double thick plaster stop of 3.18mm where a heavier application of mud is preferred. Recommended for colorfast and venetian plaster applications. Not recommended for stucco applications.

F ROUTER TOOL GUIDE

- Specified separately and used with Flange Overlay configurations.
- For use in wood ceiling applications.
- **DLA-RTG-2S-RD** or **DLA-RTG-2S-SQ** required for wood Zero-Sightline ceiling installations.
- Router tool guide is reusable and suitable for multiple fittings.

DIMENSIONS / DRAWINGS



2 SERIES HAL INT WALLWASH

TECHNICAL

CONSTRUCTION

Downlight Fitting: Steel and aluminum; Painted finishes are granulated powder coat.

Fitting Adaptor: High impact composite and stainless steel.

Appliqué: Zinc alloy.

LAMP

MR-16 halogen and LED; 12-volt GU5.3 base and line / mains GU10 base.

To ensure optimal results, it is recommended to specify lamps supplied by Lucifer Lighting. Note: MR-16 LED lamps, other than those listed, must be independently confirmed as compatible by the corresponding lamp manufacturer. Consult factory for assistance.

DIMMING PROTOCOL

Best achieved using a corresponding reverse phase control for electronic transformers and a forward phase control for magnetic transformers.

Compatibility and performance may vary between controls and applied loads.

SPACING

Recommended fitting spacing is 36" on center with 36" setback from wall plane.

LISTING

CE Listed for IP20 Dry / Damp and IP64 Wet locations.

WEIGHT

Fitting - 1 lb max

LIMITED WARRANTY

Manufacturer's 1-year warranty, from the date of shipment by Seller, on all Lucifer Lighting provided system components. Consult website for full warranty terms and conditions.